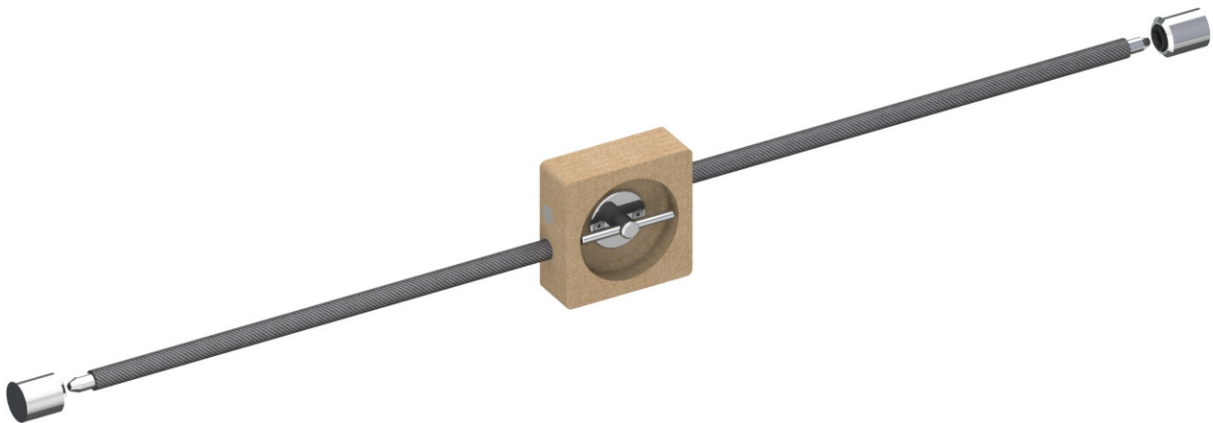
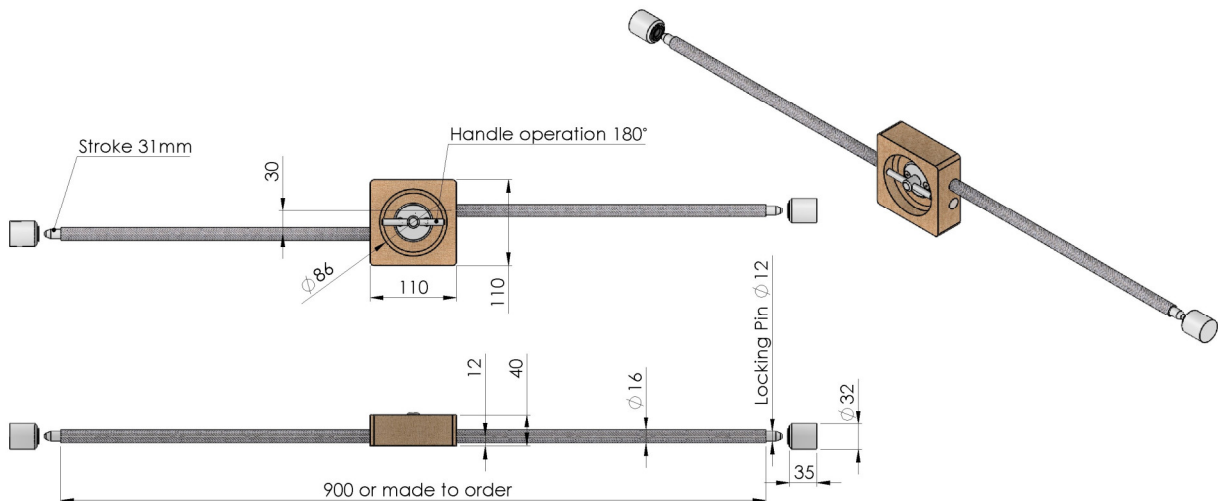


The Structor lock type 5945 is primarily designed for locking lightweight composite bulwark gates that slide into place and that are removed for letting guests pass. The housing is constructed from Tufnol and carbon composite. Locking is with a flush handle as shown below or with a separate hexagon key.

All visible stainless steel parts are mirror polished.



King size models are available on request. This lock can also be supplied for aluminium environment.



Please consult us for CAD drawings, 3D models or alternative applications.