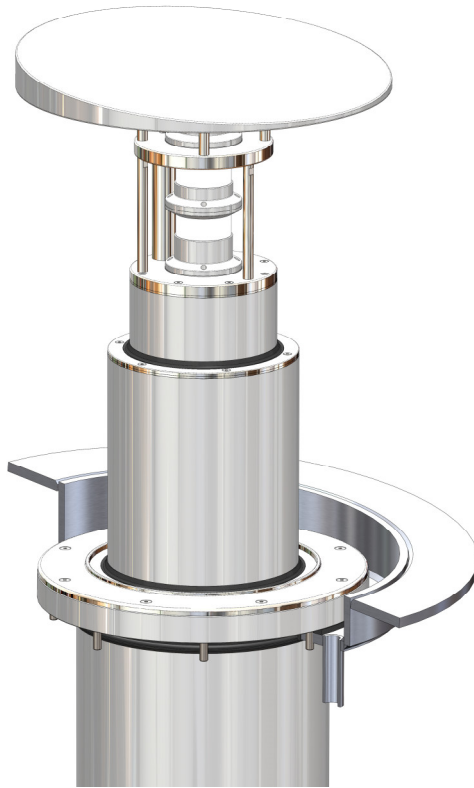


Structor has entered the market for telescopic masts for navigation lights to fulfil a demand for a technologically advanced mast that is lightweight, compact, easy to install and cost effective.

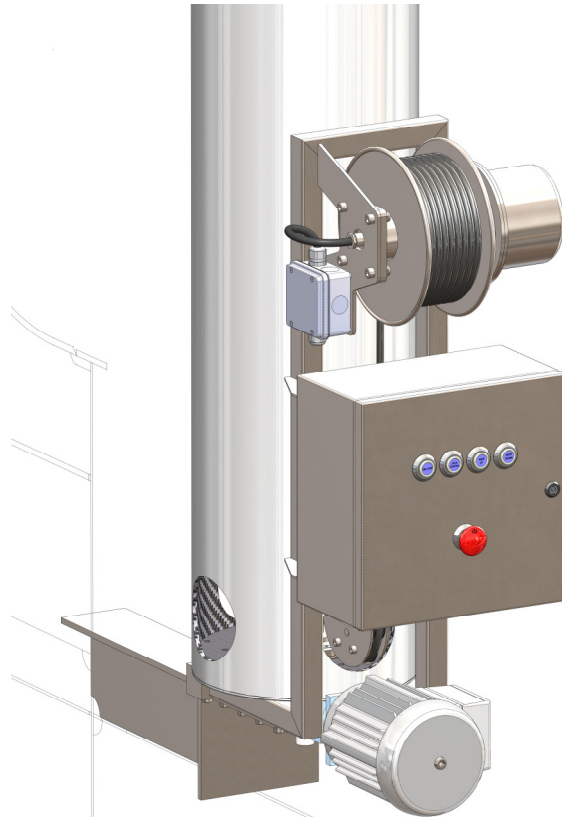
A highly engineered standard concept has been developed for single stage, two stage and three stage masts. Based on fixed tube diameters we can adapt our design to meet every requirement in the field, including anchor ball masts and mooring poles.

With our newly developed electric drive we offer a unique drive system that is compact and silent. All drive and control components are attached to the mast offering easy installation and service.

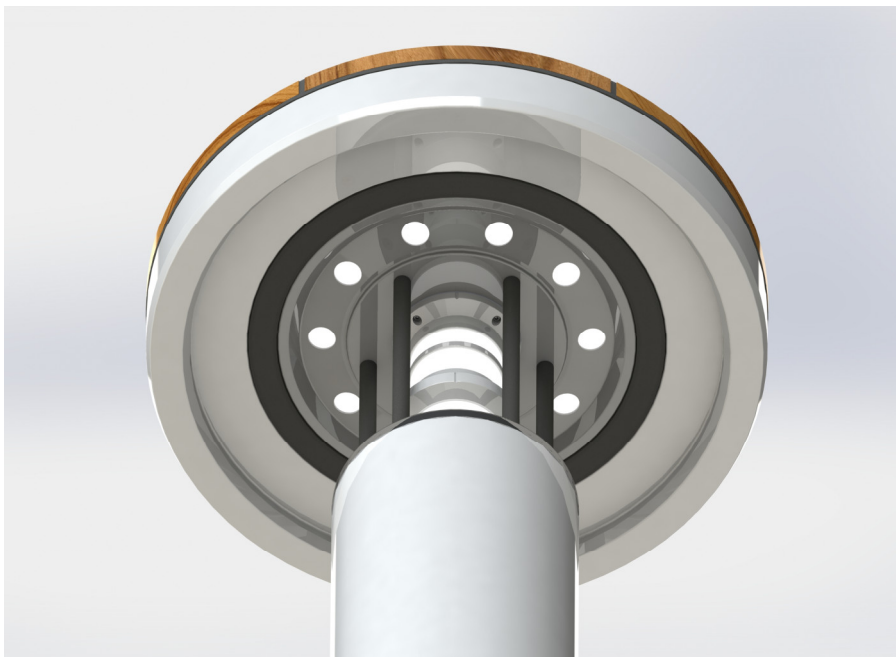
- Full carbon light weight construction with stainless steel hardware.
- Watertight construction. Navigation lights are dry and protected when not in use.
- Hurricane proof aerodynamic design without stays.
- Housing Diameter only 366mm.
- Telescopic sections 267mm, 212mm, 150mm.
- Choose between Carbon print finish or painted in color of choice.
- Choose between hydraulic drive or electric drive.
- Suitable for Cantalupi or Lopolight navigation lights.
- Silent operation with soft start and soft stop.
- Operation from local control panel, from bridge or from hand held remote control.
- Compact but powerful LED downlights are optional.
- Weldable mounting adapters are always part of our supply.
- Customer service and support second to none.



Welded adapter is part of supply



With electric drive we offer the mast as a plug and play unit



Cover plate with low profile powerful LED downlight