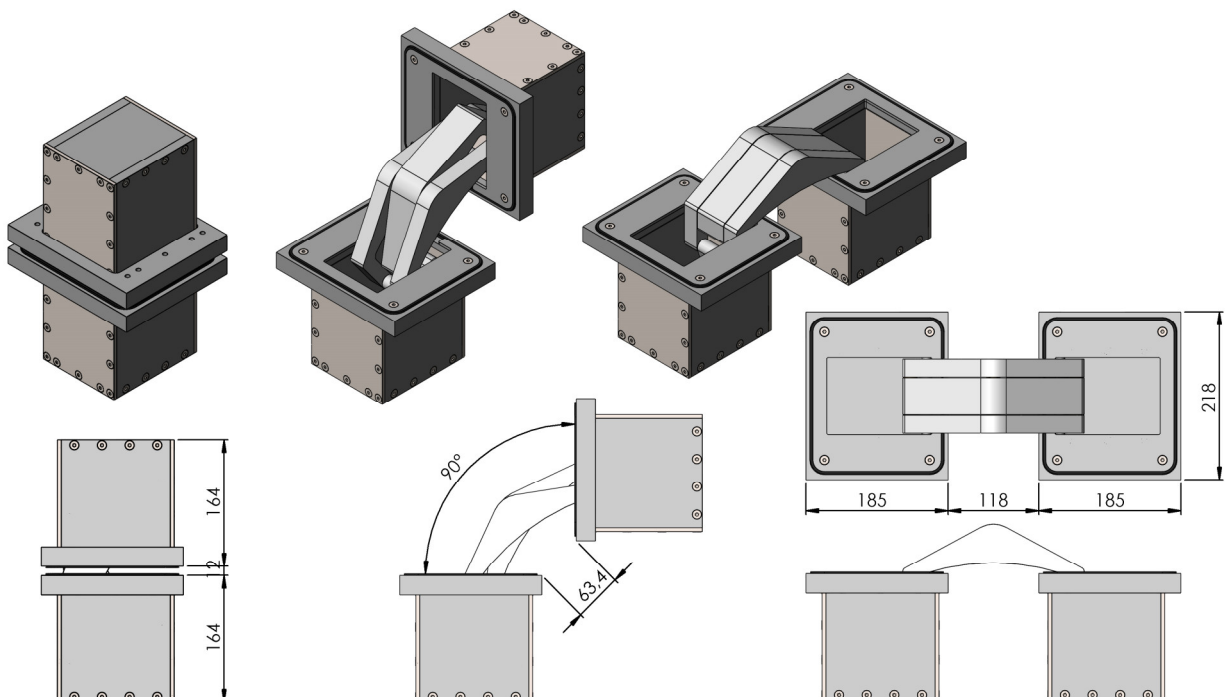




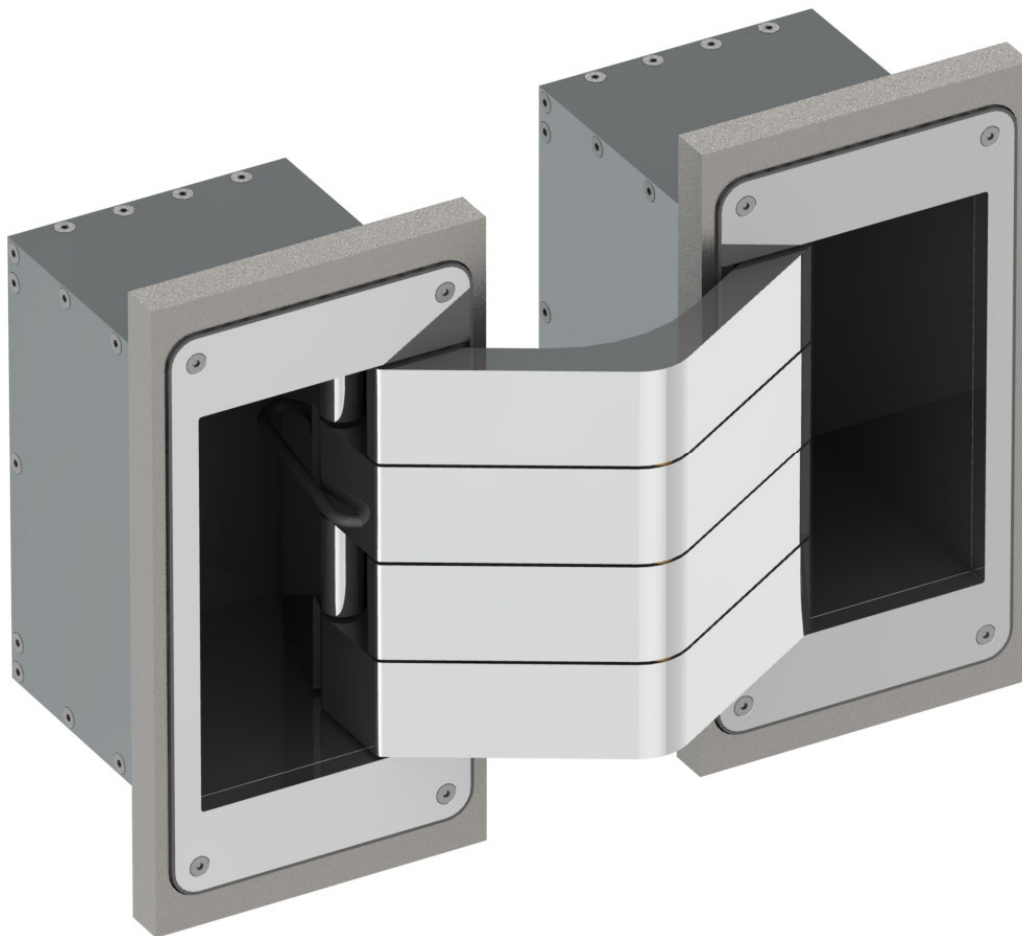
Concealed hinge type MPH601 has been designed for use in bulwark doors. Of all our hinges this type offers the largest offset so it can be installed in doors that have a curved or stepped inner surface. When the door opens 180° the hinge arms move in the same plane leaving a very aesthetic impression. These hinges are adjustable in different directions.

The hinges mount in aluminium or stainless weldable pockets or in composite pockets that can be laminated in the surrounding structure. Set screws in the pockets allow the hinges to be adjusted towards the fairing line.



Hinges of this type are always made to order and each time the design is tailored to the specific situation at hand.

As an option these hinges can be executed with an electric wire that passes through the hinge arms nearly invisible.



Picture above: Custom design mono hinge MPH601 with electric wire transfer for low profile doors.

Please consult us for CAD drawings, 3D models or alternative applications.