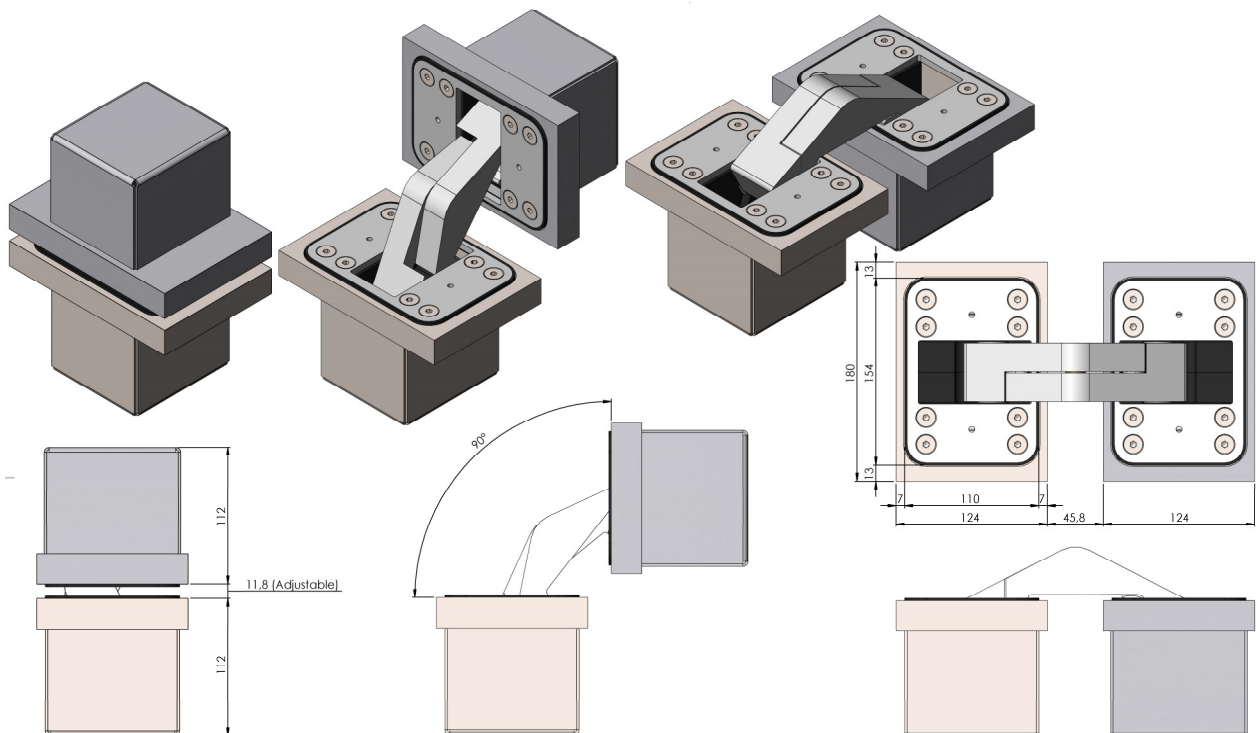
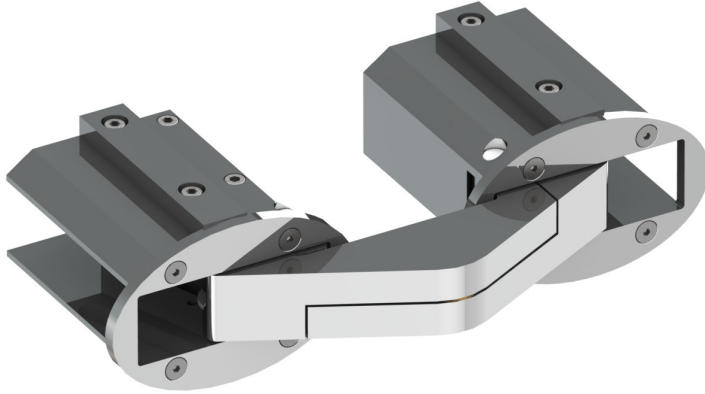


Concealed hinge type MPH501 has been designed for use in bulwark doors. It offers more offset than the MPH401. When the door opens 180° the hinge arms move in the same plane leaving a very aesthetic impression. These hinges are adjustable in different directions.

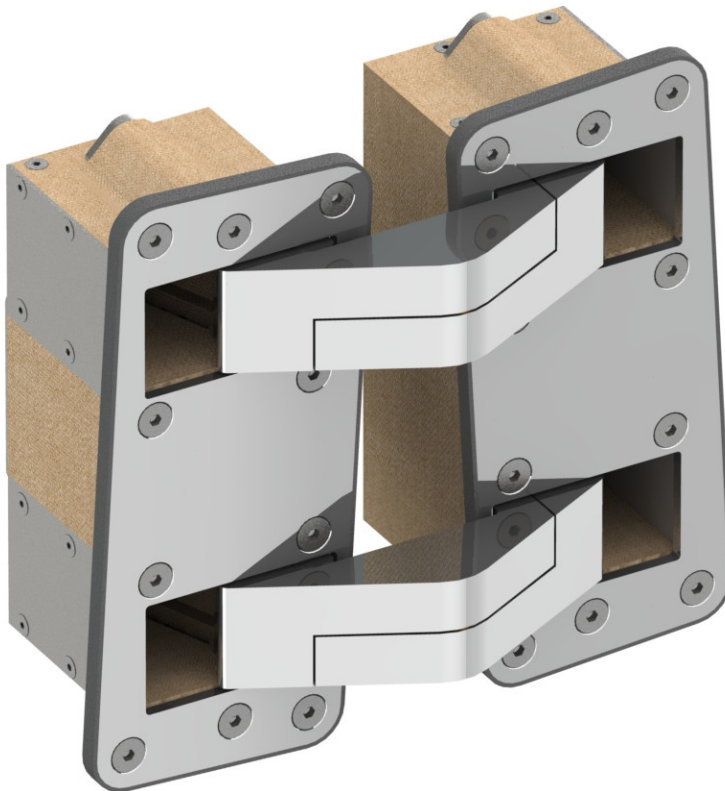
The hinges mount in aluminium or stainless weldable pockets or in composite pockets that can be laminated in the surrounding structure. Set screws in the pockets allow the hinges to be adjusted towards the fairing line.



Other applications of this type hinge are found in oval for gates and doors in bulwarks.



Picture above: Hinge MPH501 adapted for oval tube 120x80



Picture above: Double hinge MPH501 for low profile doors that open in a small angle.

Please consult us for CAD drawings, 3D models or alternative applications.