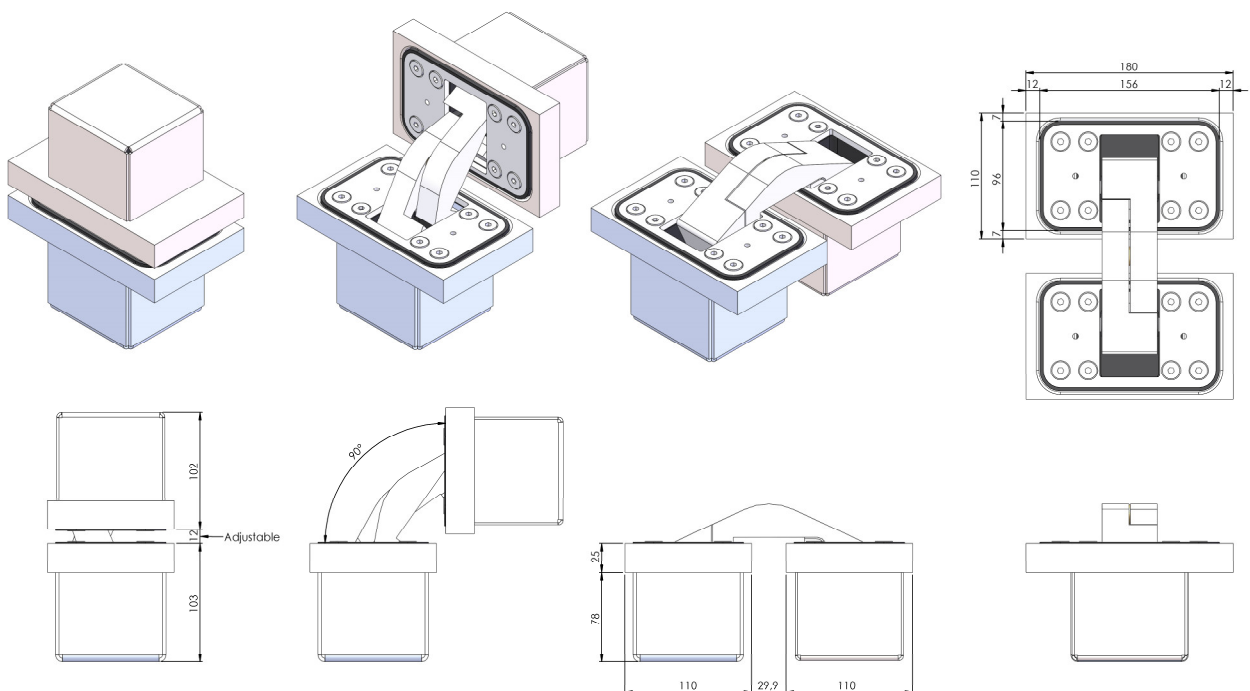


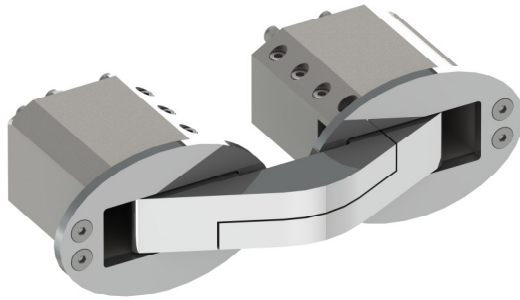
Concealed hinge type MPH401 has been designed for use in bulwark doors. When the door opens 180° the hinge arms move in the same plane leaving a very aesthetic impression. These hinges are adjustable in different directions.

The hinges mount in aluminium or stainless weldable pockets or in composite pockets that can be laminated in the surrounding structure. Set screws in the pockets allow the hinges to be adjusted towards the fairing line.

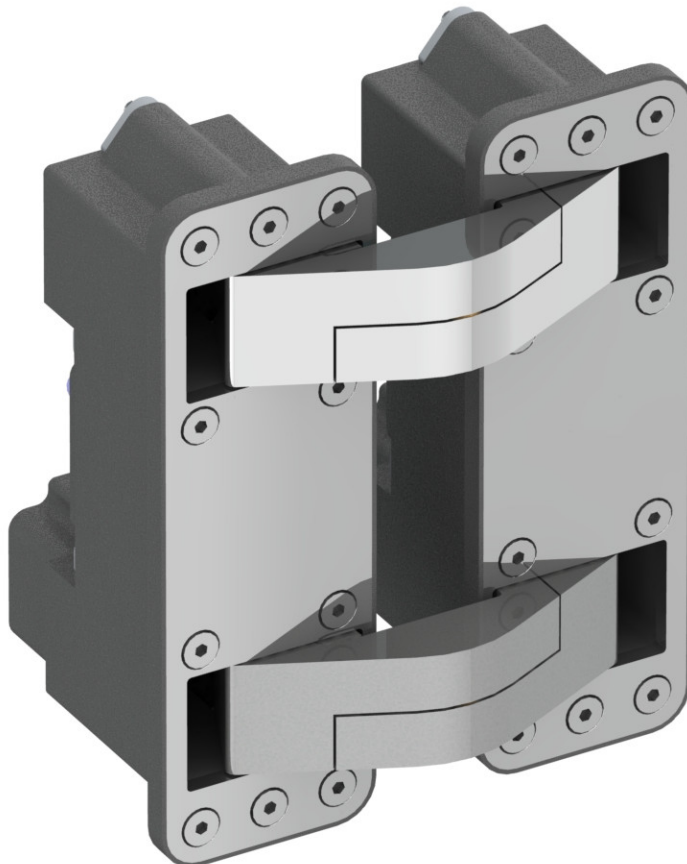


As an option these hinges can be executed with an electric wire that passes through the hinge arms nearly invisible.

Other applications of this type hinge are found in oval and round tubing for gates and doors in bulwarks.



Picture above: Hinge MPH401 adapted for oval tube 120x80



Picture above: Double hinge MPH401 for low profile doors with electric wire transfer.

Please consult us for CAD drawings, 3D models or alternative applications.