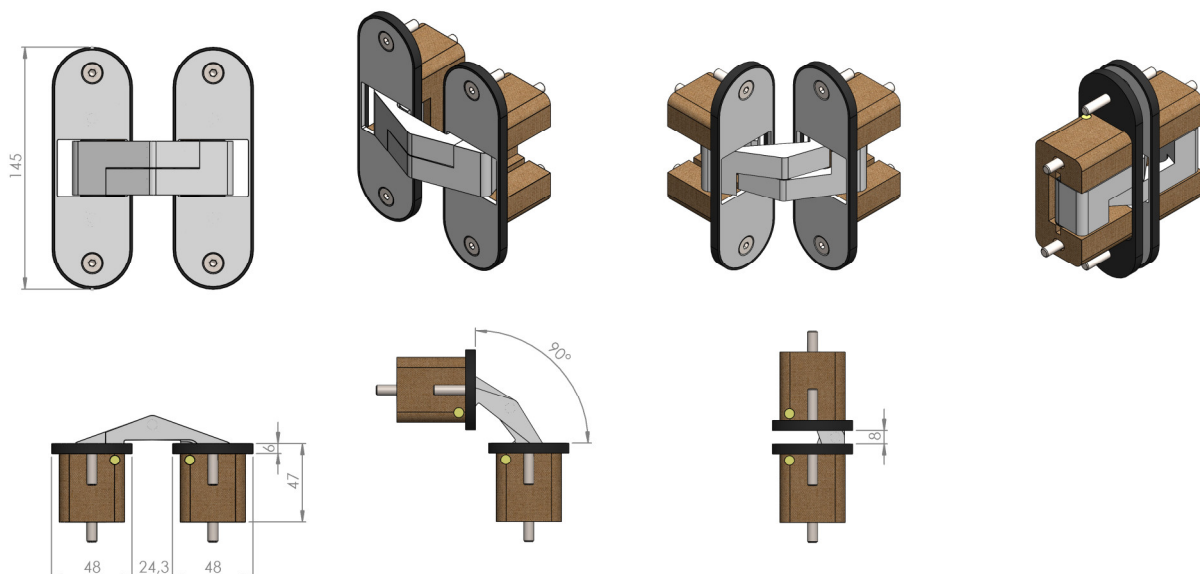
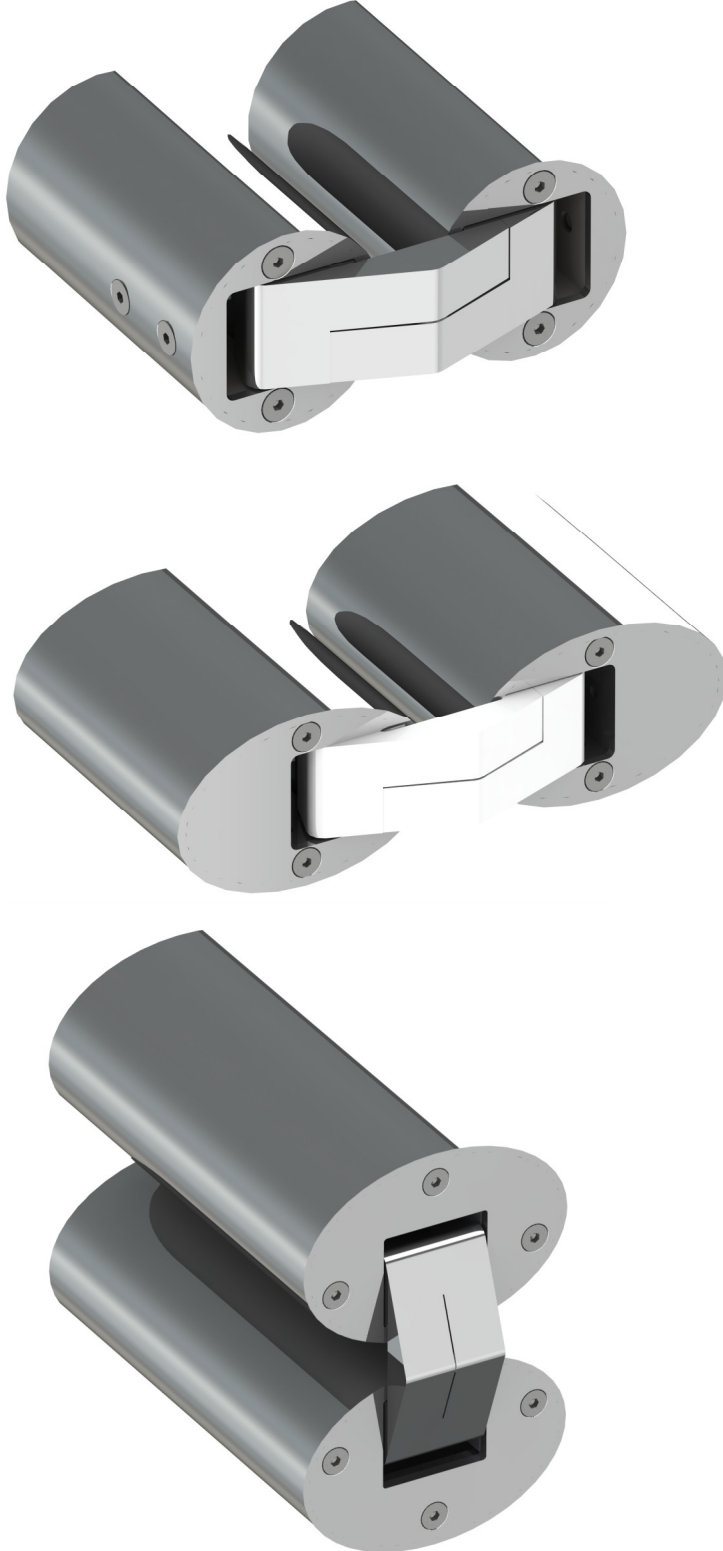


Concealed hinge type MPH301 has been designed for use in superstructure doors but also finds applications in wing control stations and other covers that need to open over 180°. When the door opens 180° the hinge arms move in the same plane leaving a very aesthetic impression.

The hinges mount in aluminium or stainless weldable pockets or in composite pockets that can be laminated in the surrounding structure.



Other applications of this type hinge are found in oval and round tubing for gates and doors in bulwarks.



Please consult us for CAD drawings, 3D models or alternative applications.