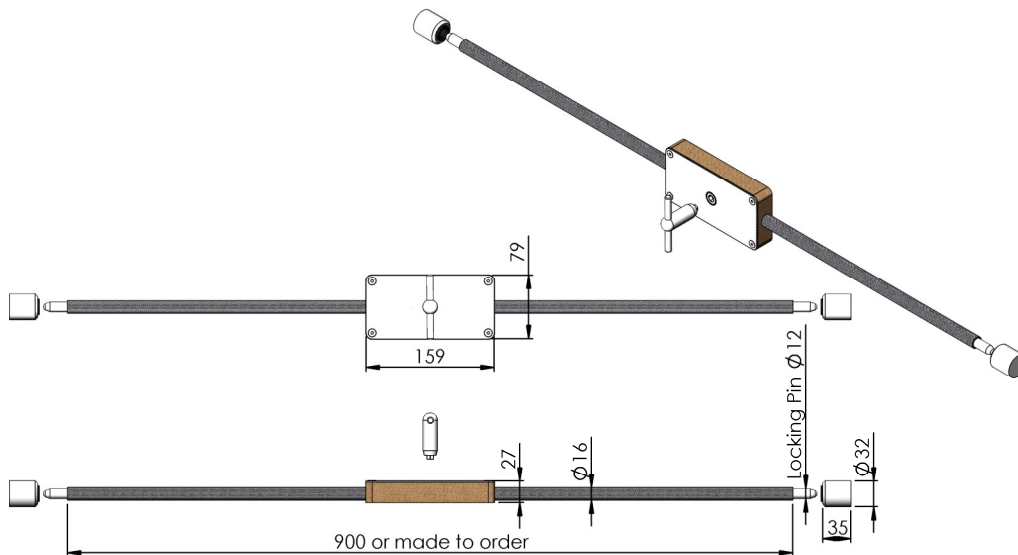


The Structor lock type 594 is primarily designed for locking lightweight composite bulwark gates that slide into place and that are removed for letting guests pass. The housing is constructed from Tufnol and carbon composite.

All visible stainless steel parts are mirror polished.



Lock body can be made in various thicknesses to match specific requirements. Key operation can also be from the other side.

Please consult us for CAD drawings, 3D models or alternative applications.